

MAIN LEVEL JOIST SCHEDULE			
JOIST	SIZE & TYPE	QUANTITY	LENGTH
TJ-36	9 1/2" TJ PRO 250's	18	36'-0"
TJ-22	"	5	22'-0"
TJ-13	"	11	13'-0"
TJ-5	"	6	< 5'-0"

UPPER LEVEL JOIST SCHEDULE			
JOIST	SIZE & TYPE	QUANTITY	LENGTH
TJ-14	9 1/2" TJ PRO 150's	24	14'-0"
TJ-16	"	4	16'-0"
TJ-9	"	10	9'-0"

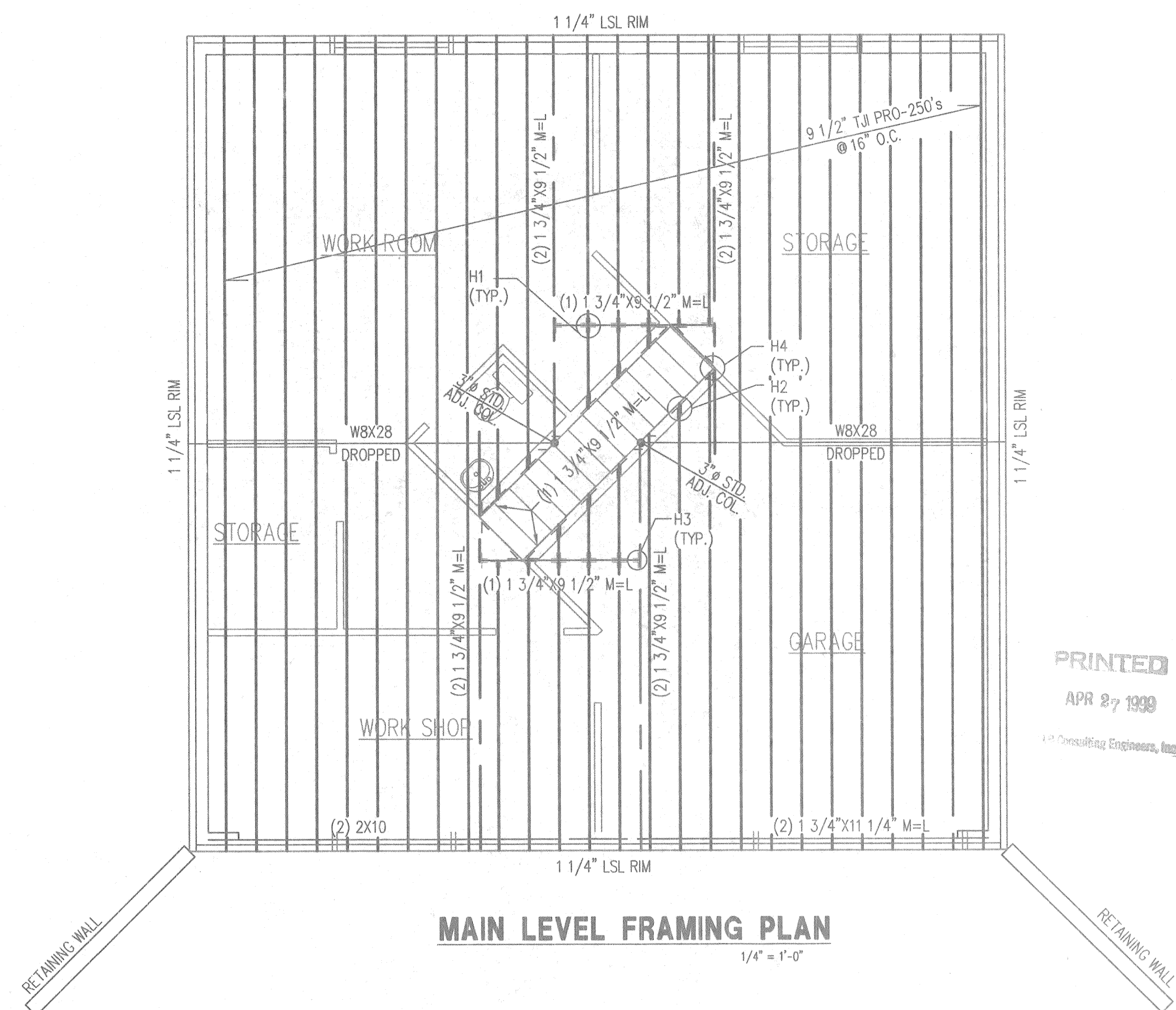
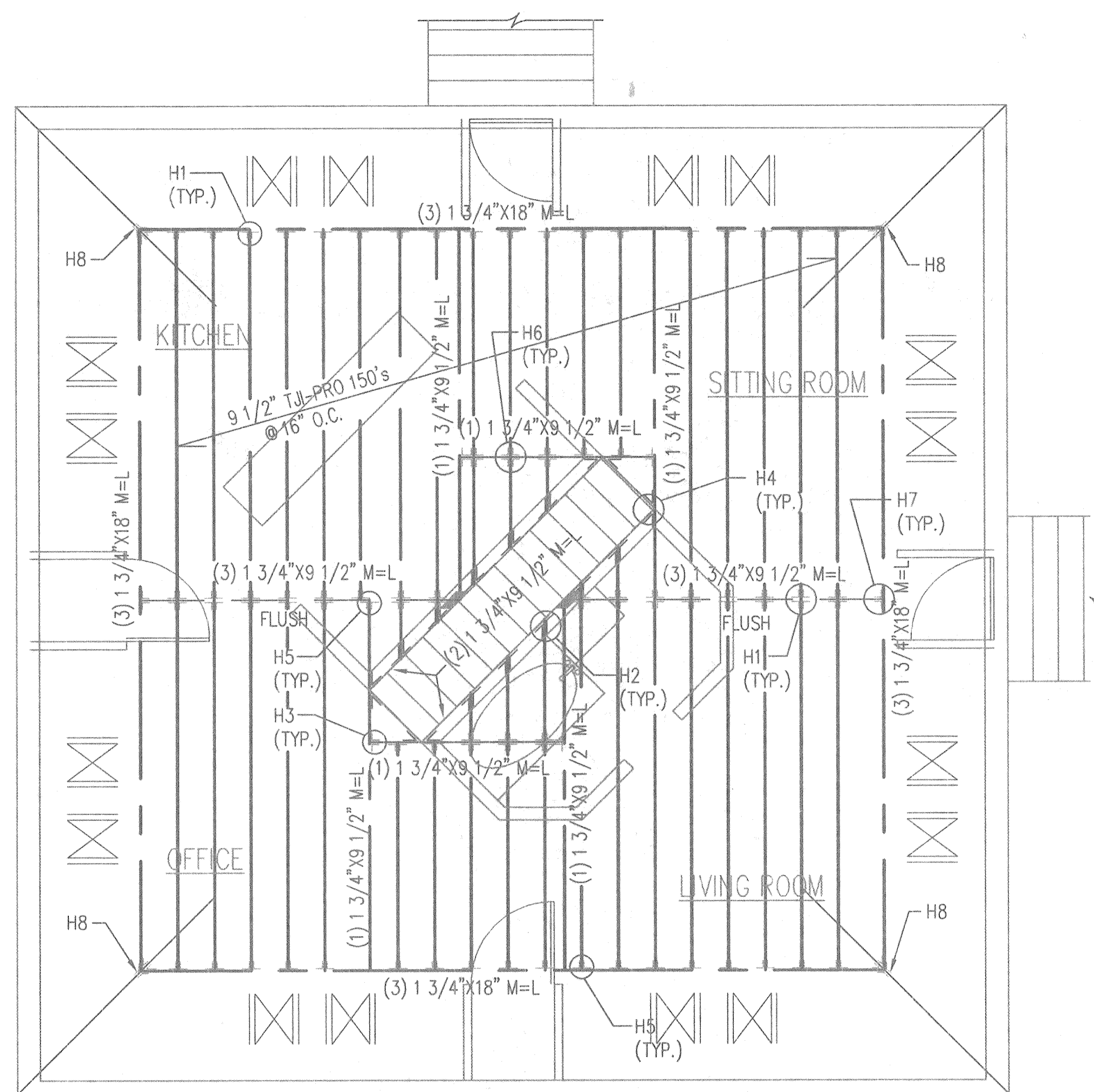
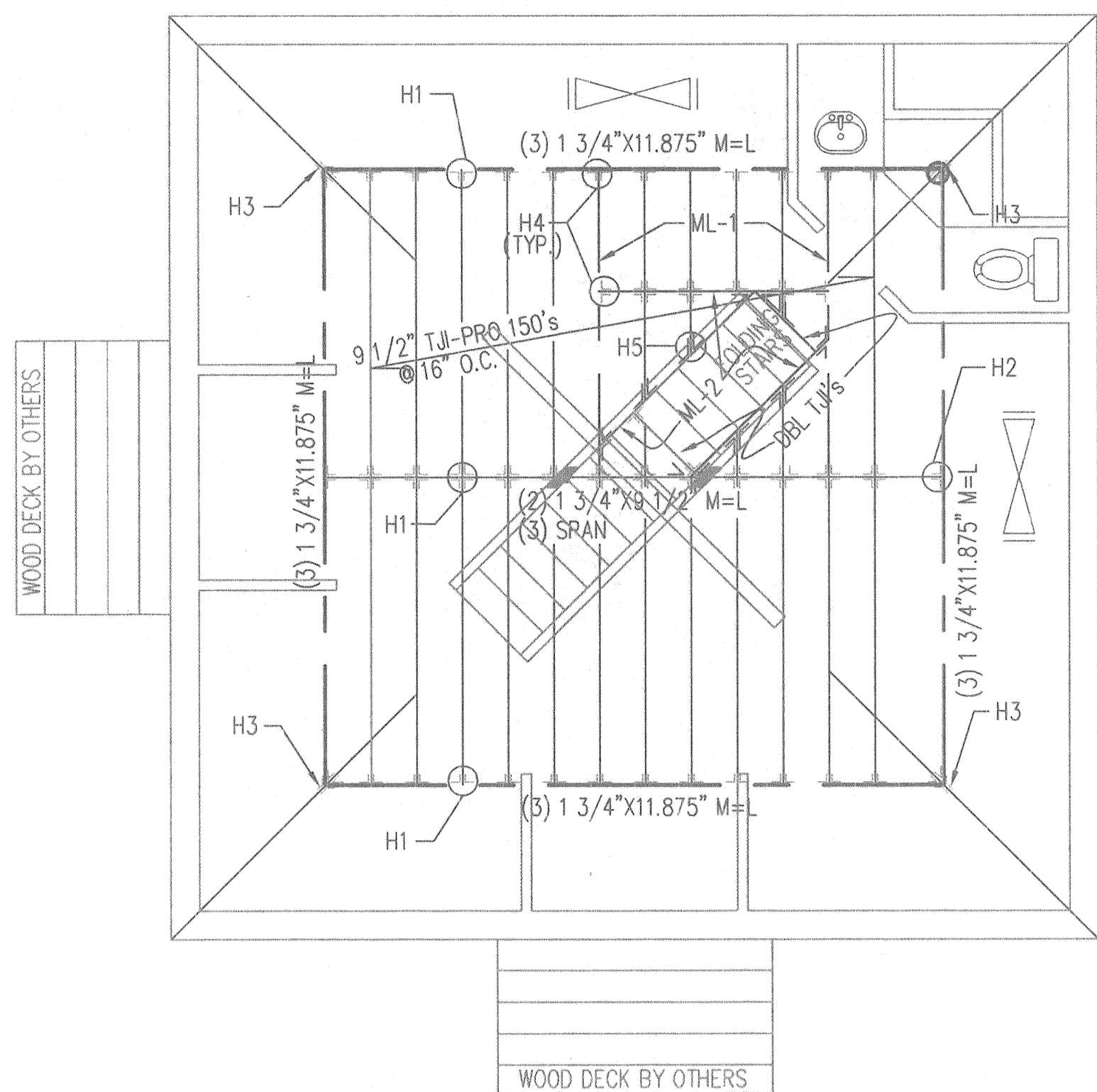
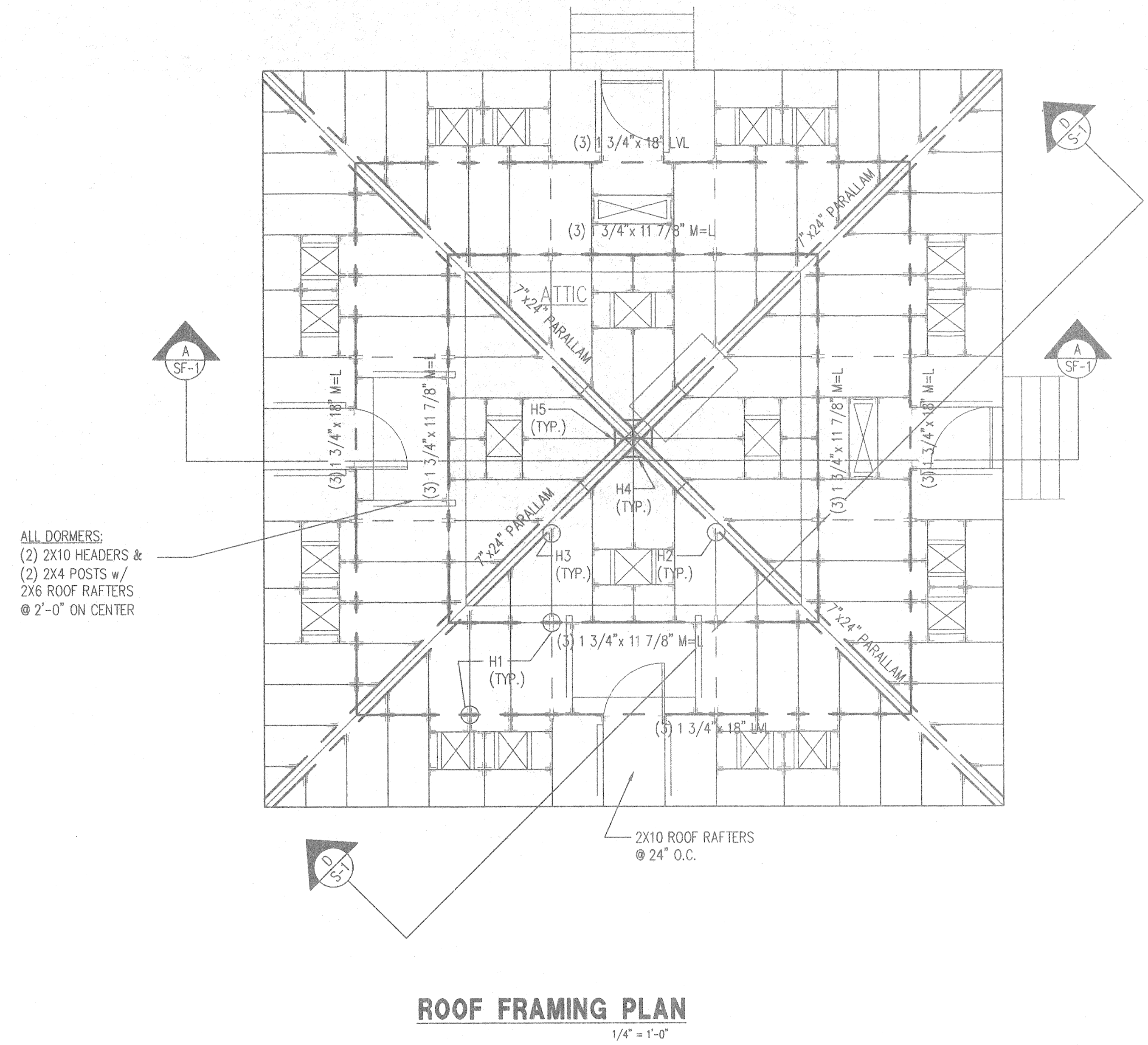
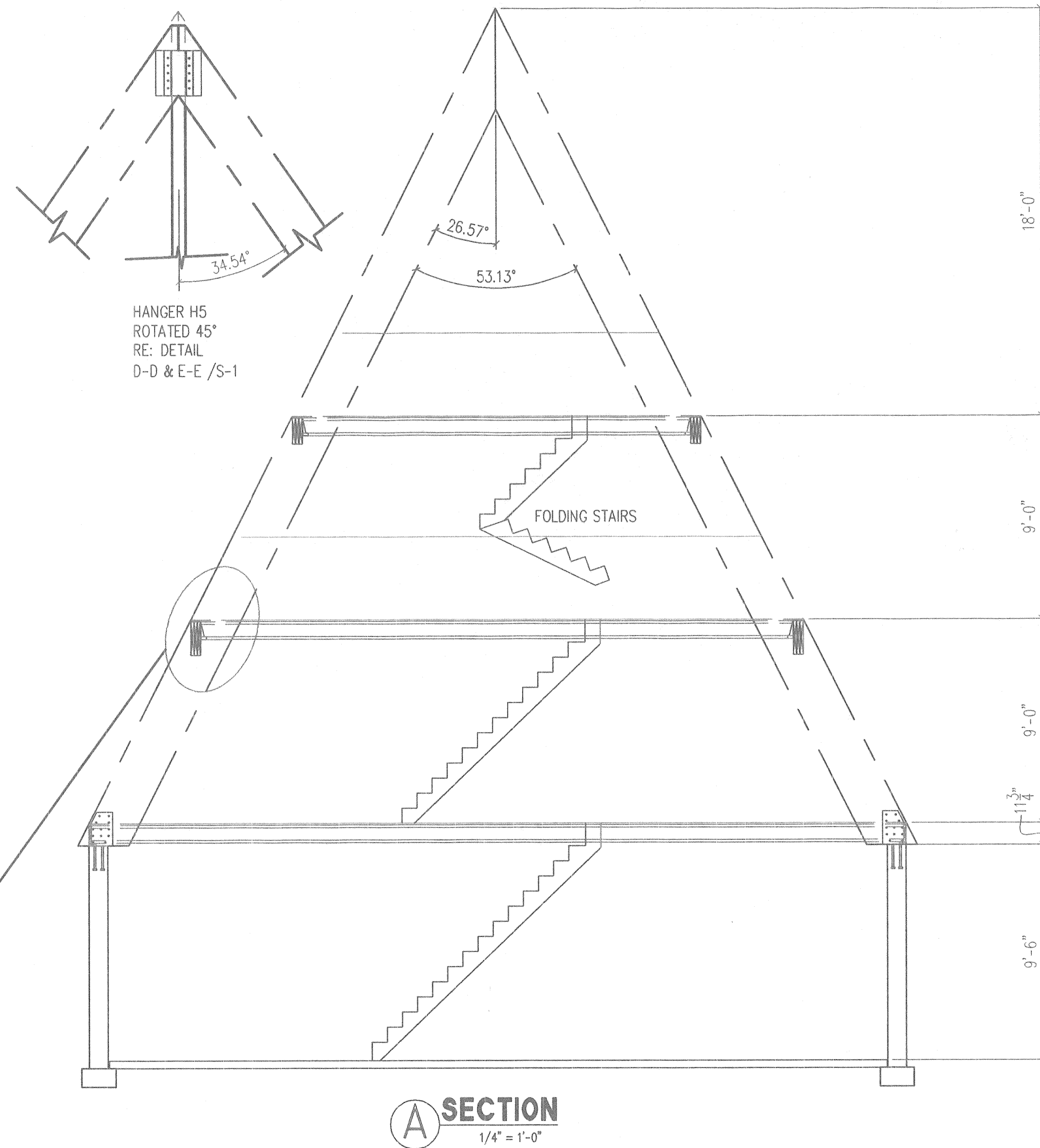
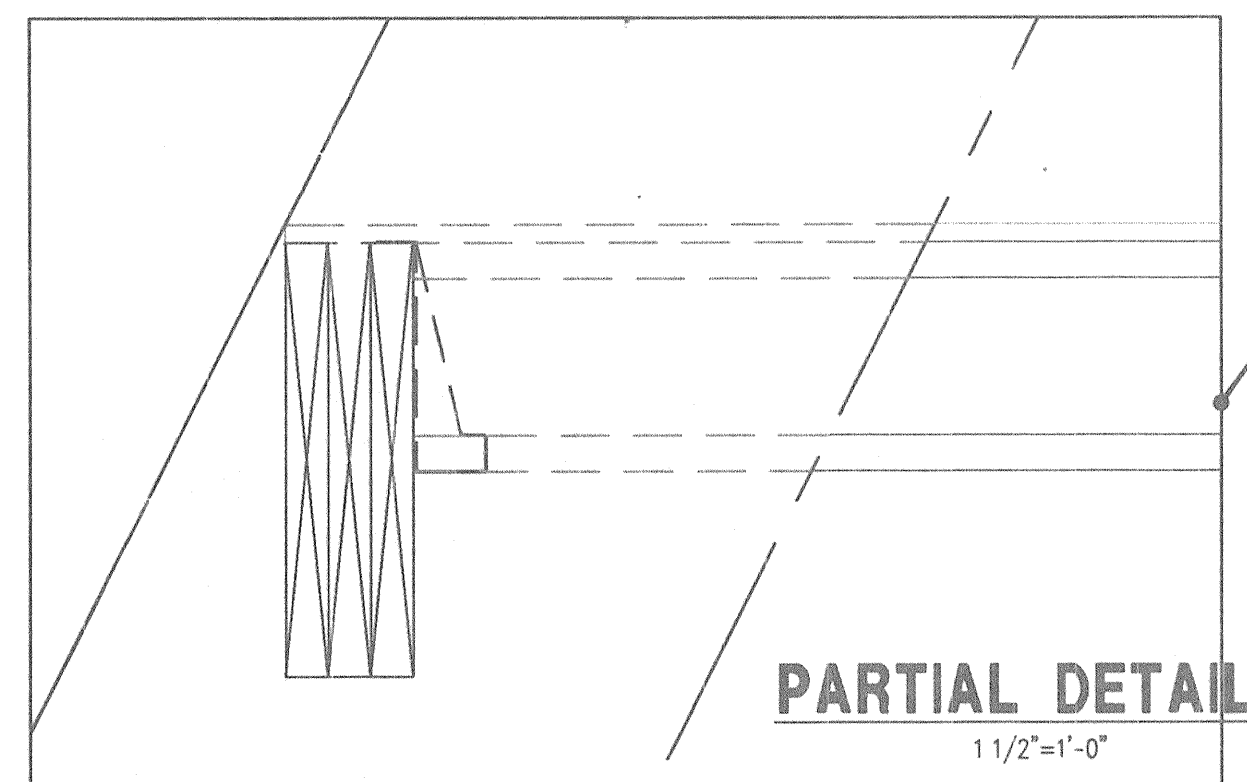
ATTIC LEVEL JOIST SCHEDULE			
JOIST	SIZE & TYPE	QUANTITY	LENGTH
TJ-18	9 1/2" TJ PRO 150's	25	18'-0"
TJ-3	"	6	< 3'-0"
ML-1	1 3/4" X9 1/2" LVL	2	9'-0"
ML-2	"	3	7'-0"

MAIN LEVEL HANGER SCHEDULE			
NAME	U.S.P. OR EQUIVALENT	QUANTITY	SPECIAL NOTES
H1	THF17925	16	:
H2	SKH1720-L	10	WEB STIFFENERS REQ.
H3	THF17925	4	:
H4	HHC28	4	:

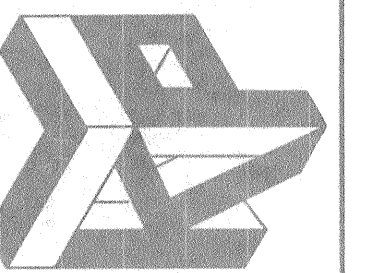
UPPER LEVEL HANGER SCHEDULE			
NAME	SIZE & TYPE	QUANTITY	SPECIAL NOTES
H1	TH01525	68	:
H2	SKH28L	10	:
H3	THF35925	4	:
H4	HHC28	4	:
H5	TH015925	8	:
H6	THF15925	16	:
H7	LBH5295	2	:
H8	HHC28	4	:

ATTIC LEVEL HANGER SCHEDULE			
NAME	SIZE & TYPE	QUANTITY	SPECIAL NOTES
H1	TH015925	59	:
H2	BPH5295	2	:
H3	:	4	:
H4	PH1795	6	:
H5	SKH28L	5	:

ROOF HANGER SCHEDULE			
NAME	SIZE & TYPE	QUANTITY	SPECIAL NOTES
H1	TMU210	232	:
H2	TMU210	32	:
H3	TMU210	32	:
H4	ACS	8	CLIP ANGLE
H5	CUSTOM	1	SPECIAL



PN : 99-148
 DATE: 4/23/99
 DSN BY : JML
 DWG BY : JJA
 CKD BY : KLP
 (303) 741-1300



NEW EGYPT
 DOUG & MICHELLE SURENSEN RESIDENCE
 LAS ANIMAS COUNTY, COLORADO
 (303) 689-9551

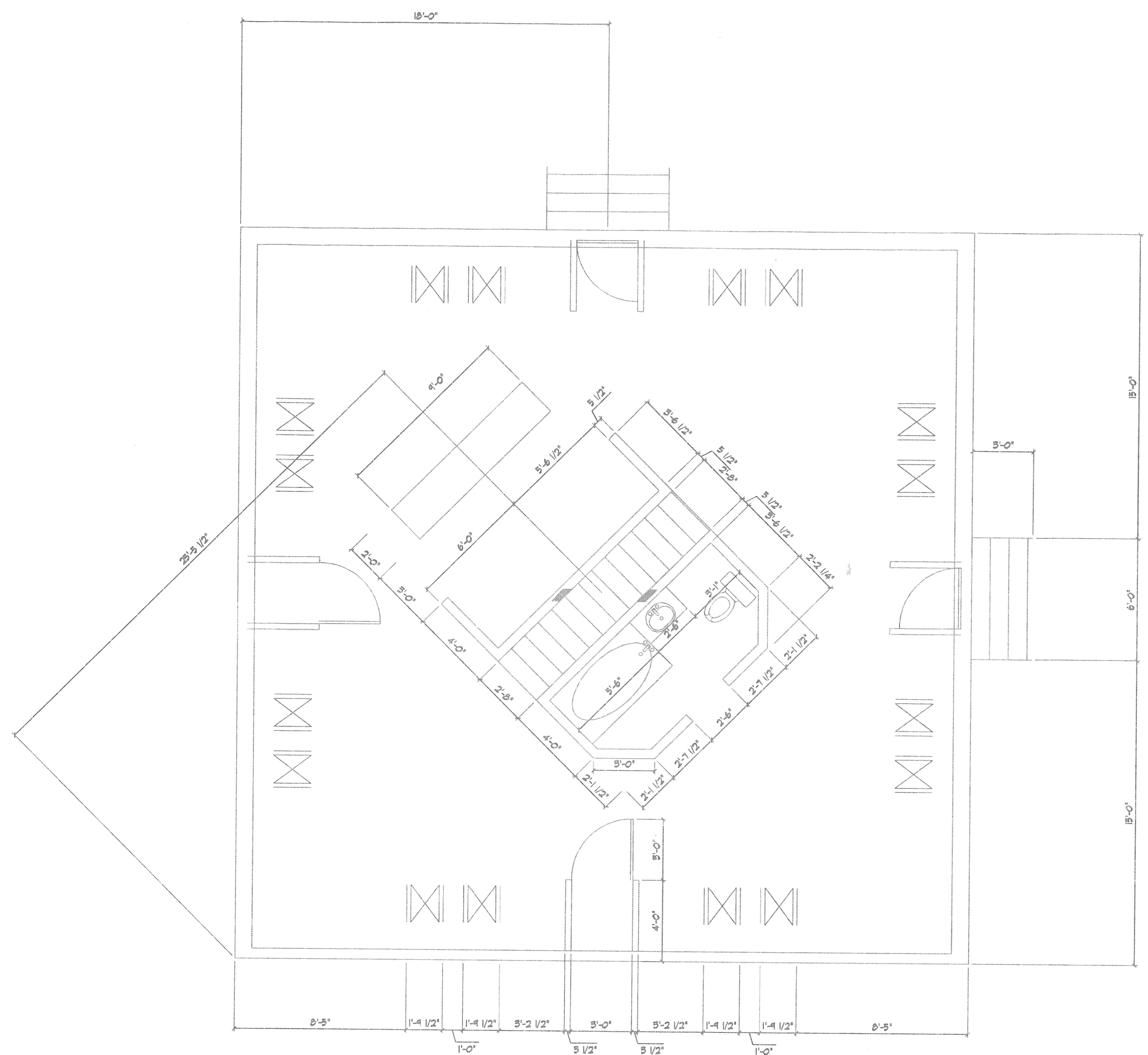
© 1997 KLP CONSULTING ENGINEERS, INC.
 THE USE OF THESE DOCUMENTS AND DRAWINGS SHALL BE LIMITED TO THE ORIGINAL PROJECT FOR WHICH THEY WERE PREPARED. NO PART OF THESE DOCUMENTS AND DRAWINGS IS TO BE REPRODUCED OR TRANSMITTED IN ANY FORM OR BY ANY MEANS, ELECTRONIC OR MECHANICAL, INCLUDING PHOTOCOPYING, RECORDING, OR BY ANY INFORMATION STORAGE AND RETRIEVAL SYSTEM, WITHOUT THE WRITTEN PERMISSION OF KLP CONSULTING ENGINEERS, INC. SECTION 01.10.00

PRINTED
 APR 27 1999
 KLP Consulting Engineers, Inc.

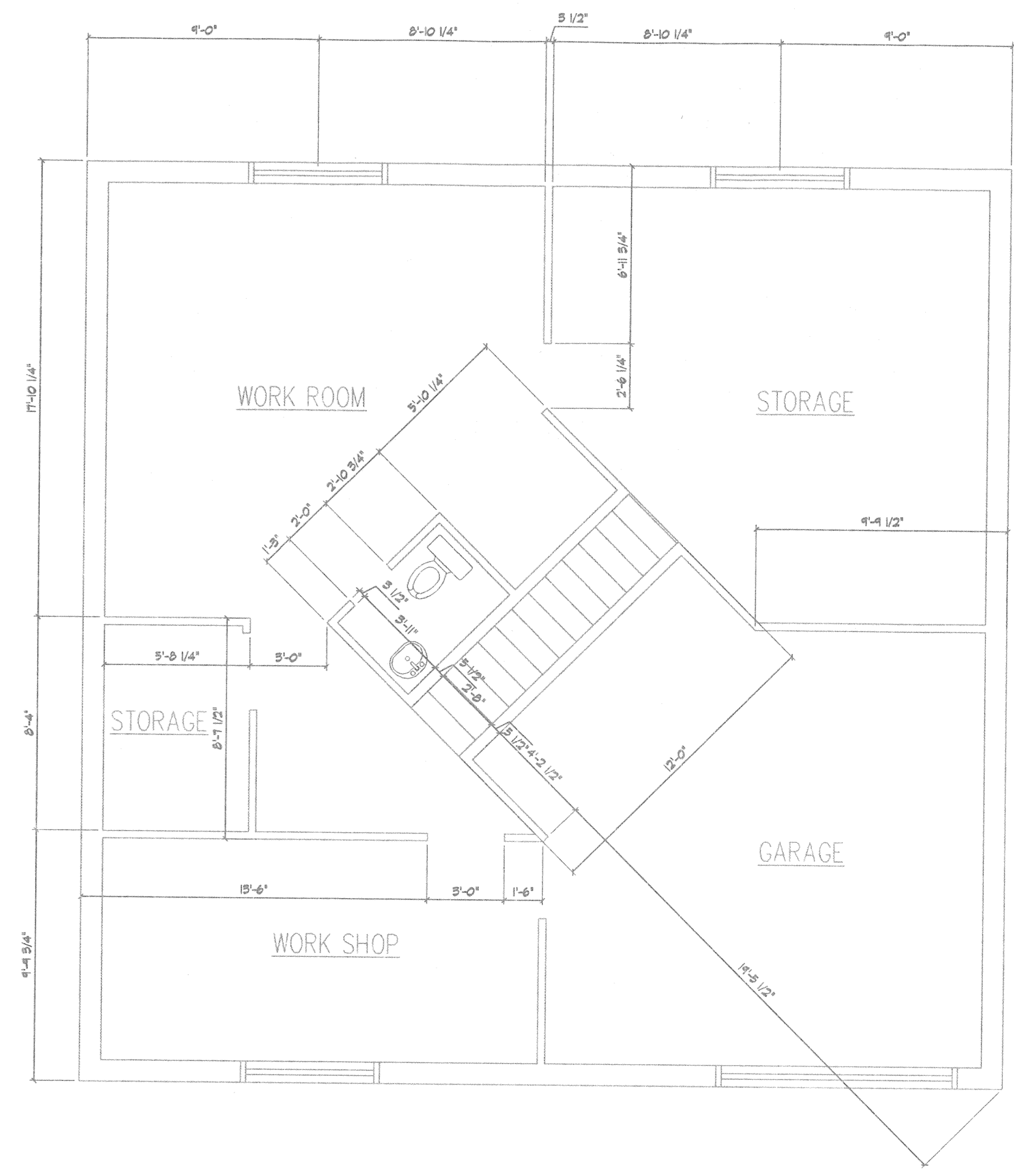
NO.	DATE	REVISIONS
1	4/23/99	INITIAL ISSUE

FRAMING PLAN
 FOUNDATION PLAN

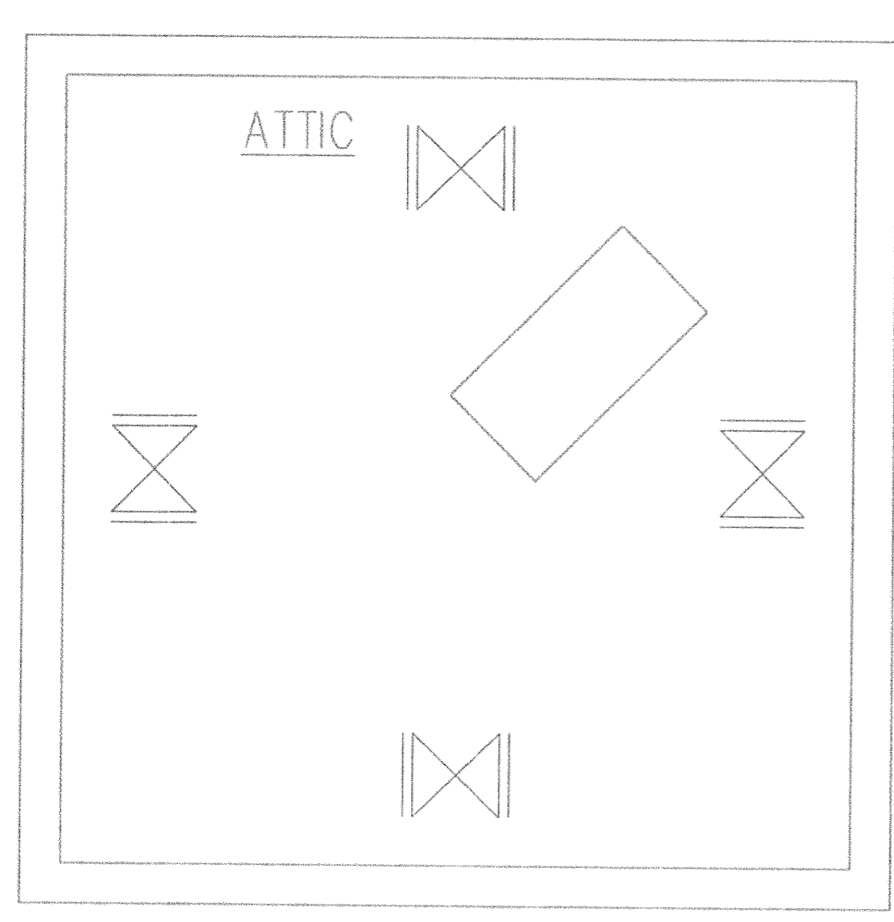
SF-1



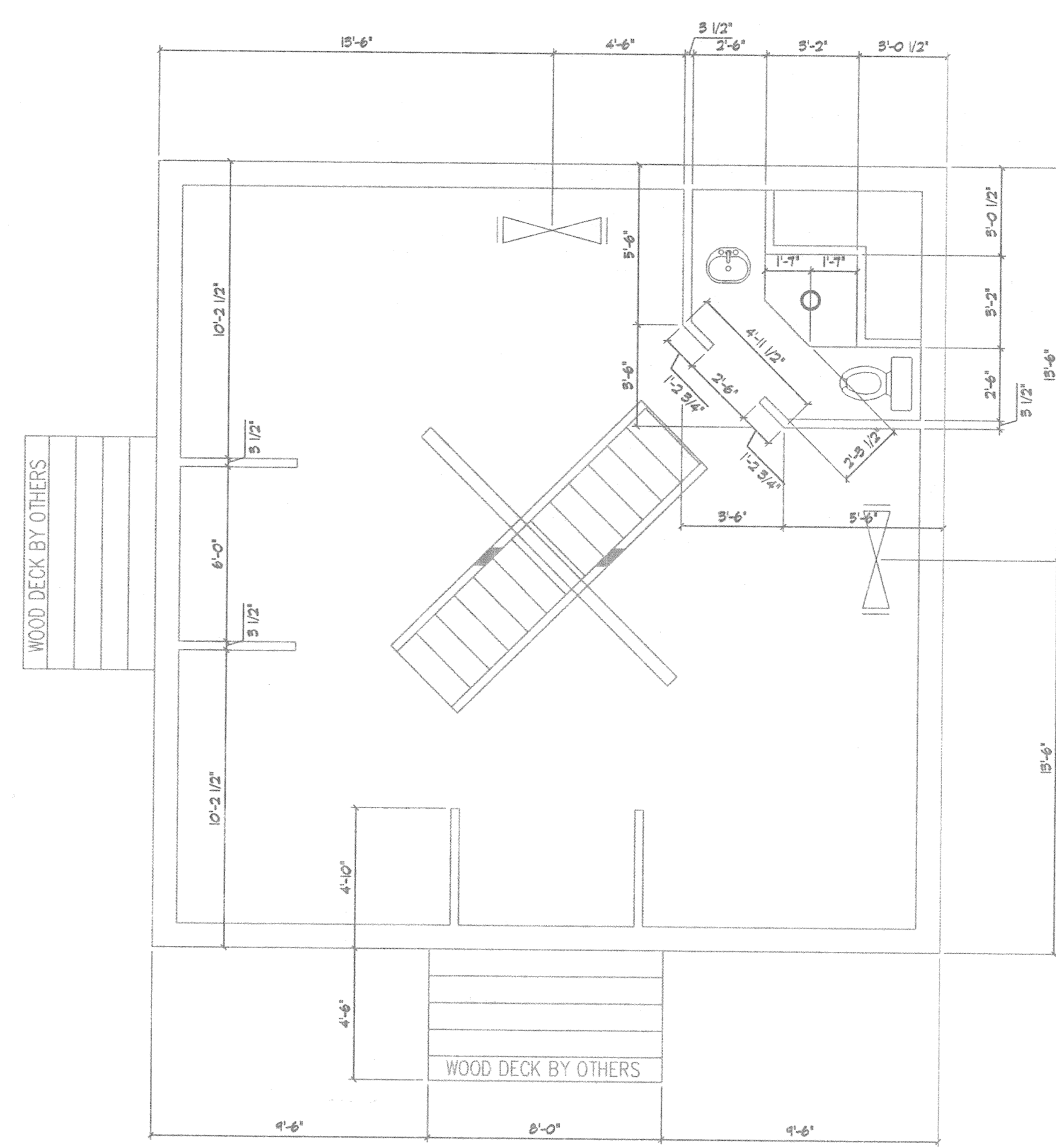
MAIN LEVEL FLOOR PLAN
1/4" = 1'-0"



LOWER LEVEL FLOOR PLAN
1/4" = 1'-0"



ATTIC LEVEL FLOOR PLAN
1/4" = 1'-0"

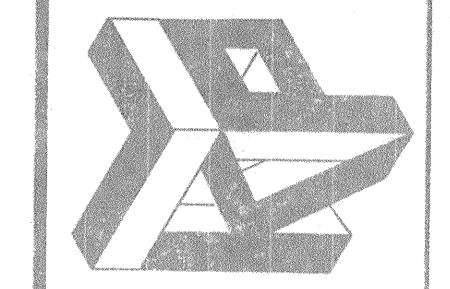


UPPER LEVEL FLOOR PLAN
1/4" = 1'-0"

PRINTED
APR 29 1999
KLP Consulting Engineers, Inc.

PN : 99-148
DATE: 4/23/99
DSN BY : JML
DWG BY : JML
CKD BY :

**FULL BASEMENT
FOUNDATION PLAN**
KLP CONSULTING ENGINEERS, INC.
5985 GREENWOOD PLAZA BLVD., SUITE 210
ENGLEWOOD, COLORADO 80111
(303) 741-1300



NEW EGYPT
DOUG & MICHELLE SURENSEN RESIDENCE
LAS ANIMAS COUNTY, COLORADO
(303) 689-9551

© 1987 KLP CONSULTING ENGINEERS, INC.
THE USE OF THESE DOCUMENTS AND DRAWINGS SHALL BE
RESTRICTED TO THE ORIGINAL PROJECT FOR WHICH THE
CONSULTING ENGINEER HAS BEEN RETAINED AND NO
REPRODUCTION OR EXCESSIVE COPIES SHALL BE MADE
OR USED IN ANY MANNER WITHOUT THE WRITTEN
CONSENT OF KLP CONSULTING ENGINEERS, INC.
ALL RIGHTS RESERVED. THESE DOCUMENTS AND DRAWINGS
ARE THE PROPERTY OF KLP CONSULTING ENGINEERS, INC.
AND SHALL BE KEPT IN CONFIDENCE AND NOT TO BE
REPRODUCED OR TRANSMITTED IN ANY FORM OR BY
ANY MEANS, ELECTRONIC OR MECHANICAL, INCLUDING
PHOTOCOPYING, RECORDING, OR BY ANY INFORMATION
SYSTEMS WITHOUT PERMISSION IN WRITING FROM
KLP CONSULTING ENGINEERS, INC.

NO.	DATE	REVISIONS
1	4/23/99	INITIAL ISSUE

FLOOR PLAN
APPROX. WALL LOCATIONS

SF-2